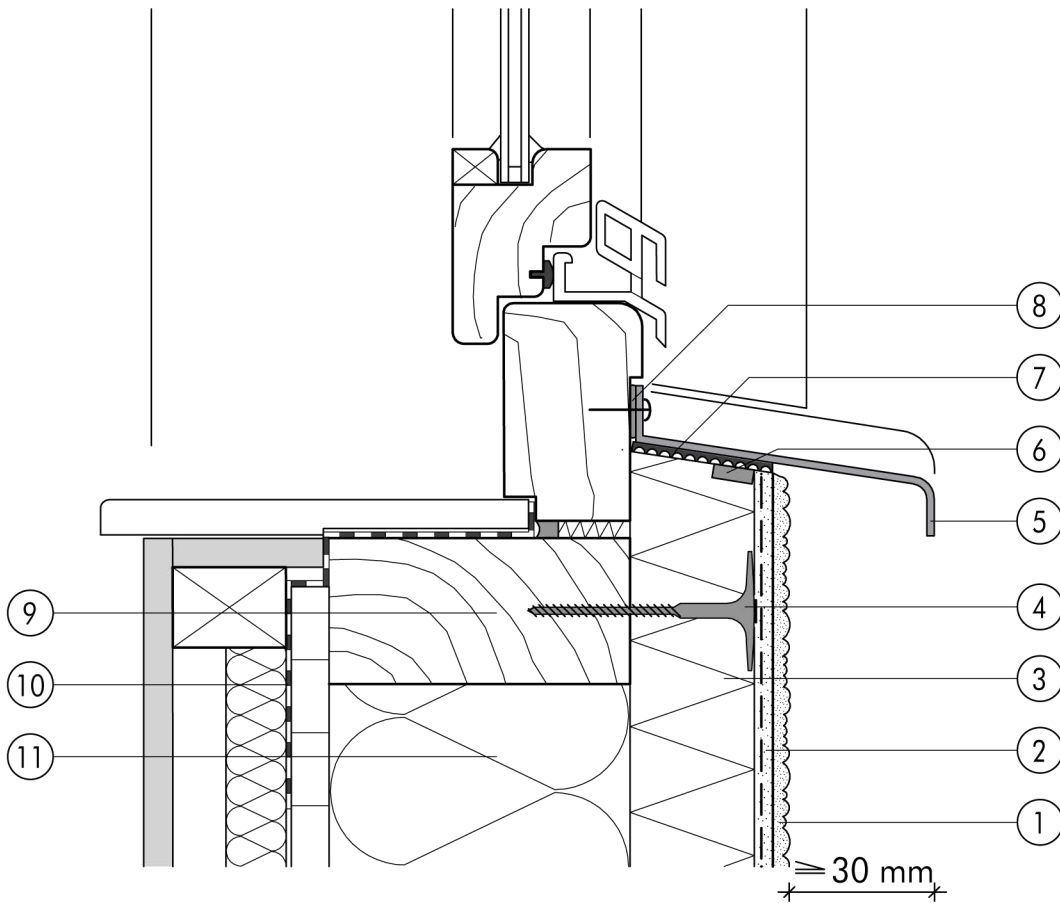


## 2.3 Window junctions

**2.3.1 a Timber studwork directly  
faced with THD N+F, bottom  
junction with aluminium  
window sill, windows  
externally flush**

## 2.3



- |   |   |   |   |
|---|---|---|---|
| ① | Finish render, where necessary with paint coating or impregnation (e.g. NOBLO, SP 260, conni S) | ⑦ | Grooved compressible tape (with anti-drumming function) |
| ② | Reinforcing layer (SM700, scrim)  | ⑧ | Window sill sealing tape                                |
| ③ | THD N+F insulation board  | ⑨ | Timber studwork   |
| ④ | System fastener (THD fastener set)  | ⑩ | Vapour check where necessary                            |
| ⑤ | Window sill   | ⑪ | Cavity-wall insulation                                  |
| ⑥ | Joint sealing tape  |   |   |