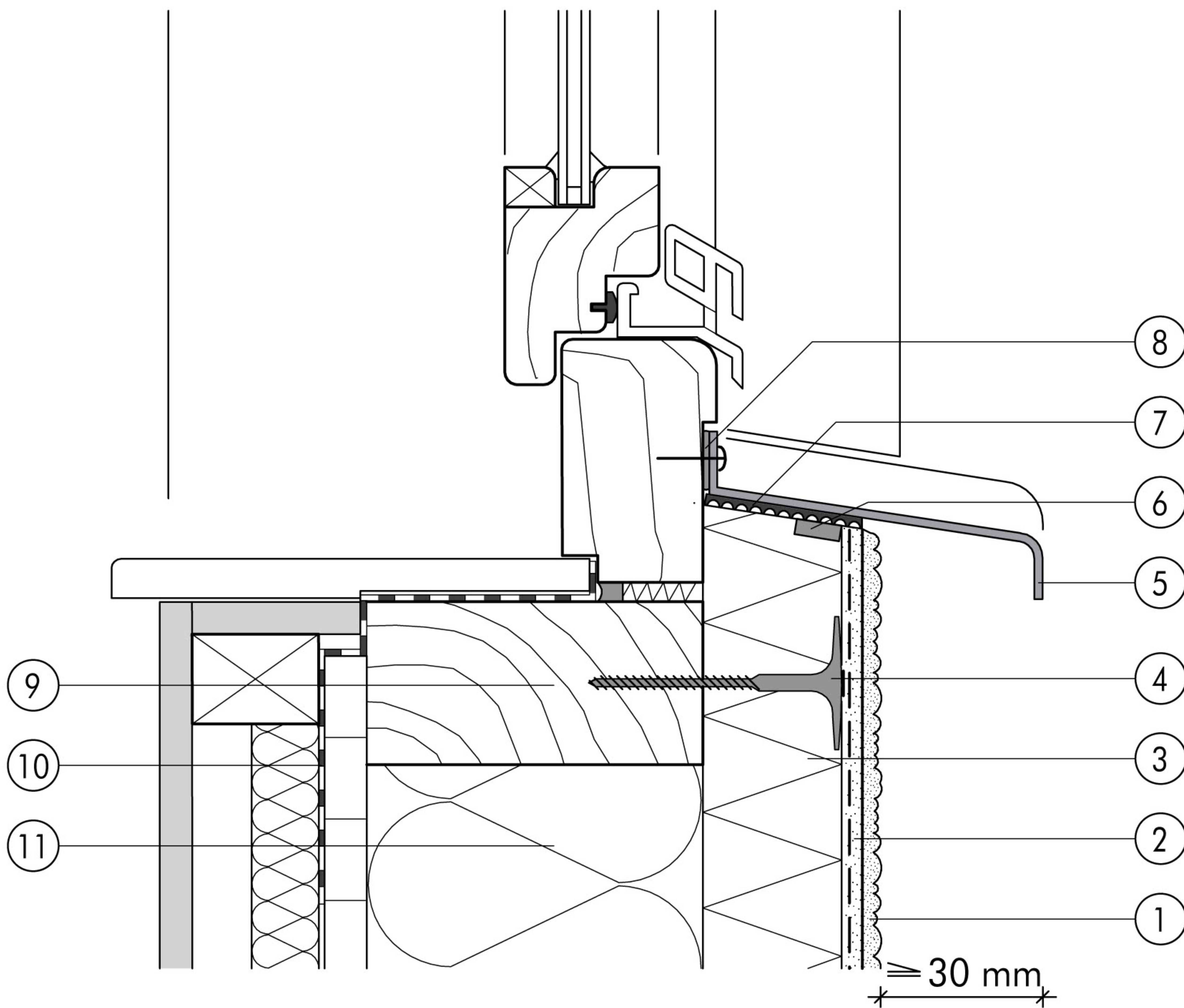


2.3 Window junctions

2.3.11 Timber studwork directly faced with DIFFUTHERM, bottom junction with aluminium window sill, windows externally flush



2.3

- | | | | |
|---|---|---|---|
| ① | Finish render, where necessary with paint coating or impregnation (e.g. NOBLO, SP 260, conni S) | ⑦ | Grooved compressible tape (with anti-drumming function) |
| ② | Reinforcing layer (SM700, scrim) | ⑧ | Window sill sealing tape |
| ③ | DIFFUTHERM insulation board | ⑨ | Timber studwork |
| ④ | System fastener (TERMOFIX H) | ⑩ | Vapour check where necessary |
| ⑤ | Window sill | ⑪ | Cavity-wall insulation |
| ⑥ | Joint sealing tape | | |