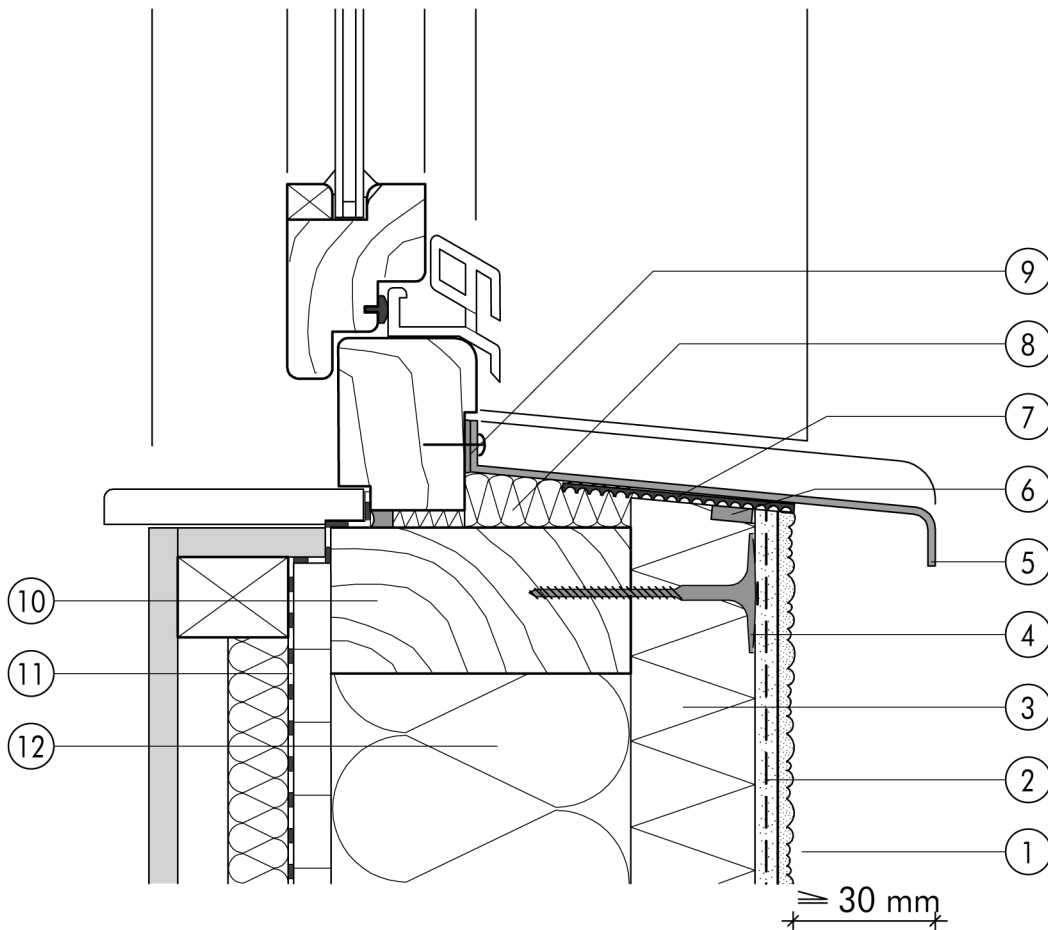


2.3 Window junctions

**2.3.10a Timber studwork directly
faced with THD N+F, bottom
junction with aluminium
window sill, windows
internally flush**

2.3



- | | |
|--|---|
| <ul style="list-style-type: none"> ① Finish render, where necessary with paint coating or impregnation (e.g. NOBLO, SP 260, conni S) ② Reinforcing layer (SM700, scrim) ③ THD N+F insulation board ④ System fastener (THD fastener set) ⑤ Window sill ⑥ Joint sealing tape | <ul style="list-style-type: none"> ⑦ Grooved compressible tape (with anti-drumming function) ⑧ Apron wall insulation ⑨ Window sill sealing tape ⑩ Timber studwork ⑪ Vapour check where necessary ⑫ Cavity-wall insulation |
|--|---|