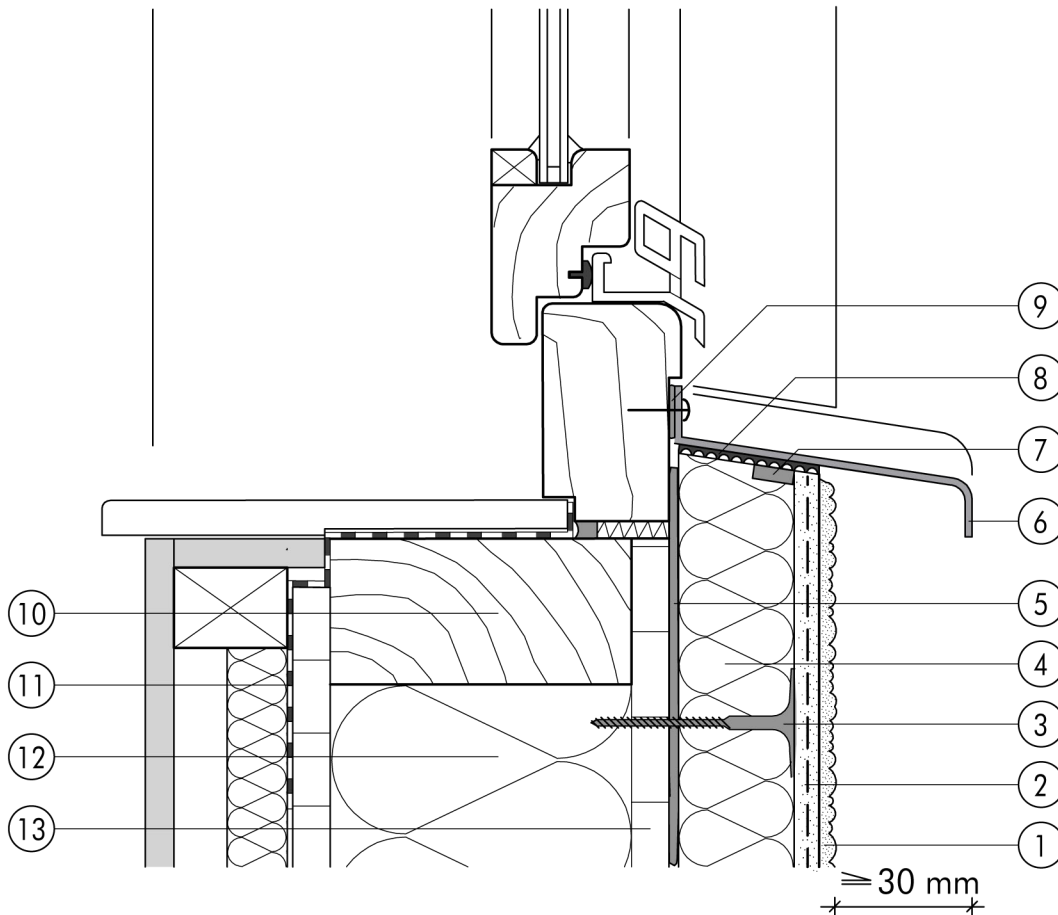


2.3 Window junctions

**2.3.09 ETICS applied to panel
product, bottom junction
with aluminium window sill,
windows externally flush**

2.3



- | | | | |
|---|---|---|---|
| ① | Finish render, where necessary with paint coating or impregnation (e.g. NOBLO, SP 260, conni S) | ⑧ | Grooved compressible tape (with anti-drumming function) |
| ② | Reinforcing layer (SM700, Lustro, scrim) | ⑨ | Window sill sealing tape |
| ③ | System fastener (TERMOFIX H) | ⑩ | Timber studwork |
| ④ | Insulation (STYROPOR®) | ⑪ | Vapour check where necessary |
| ⑤ | Bonding mortar (PASTOL, SM700, Lustro) | ⑫ | Cavity-wall insulation |
| ⑥ | Window sill | ⑬ | Panel product, min. 12 mm |
| ⑦ | Joint sealing tape | | |