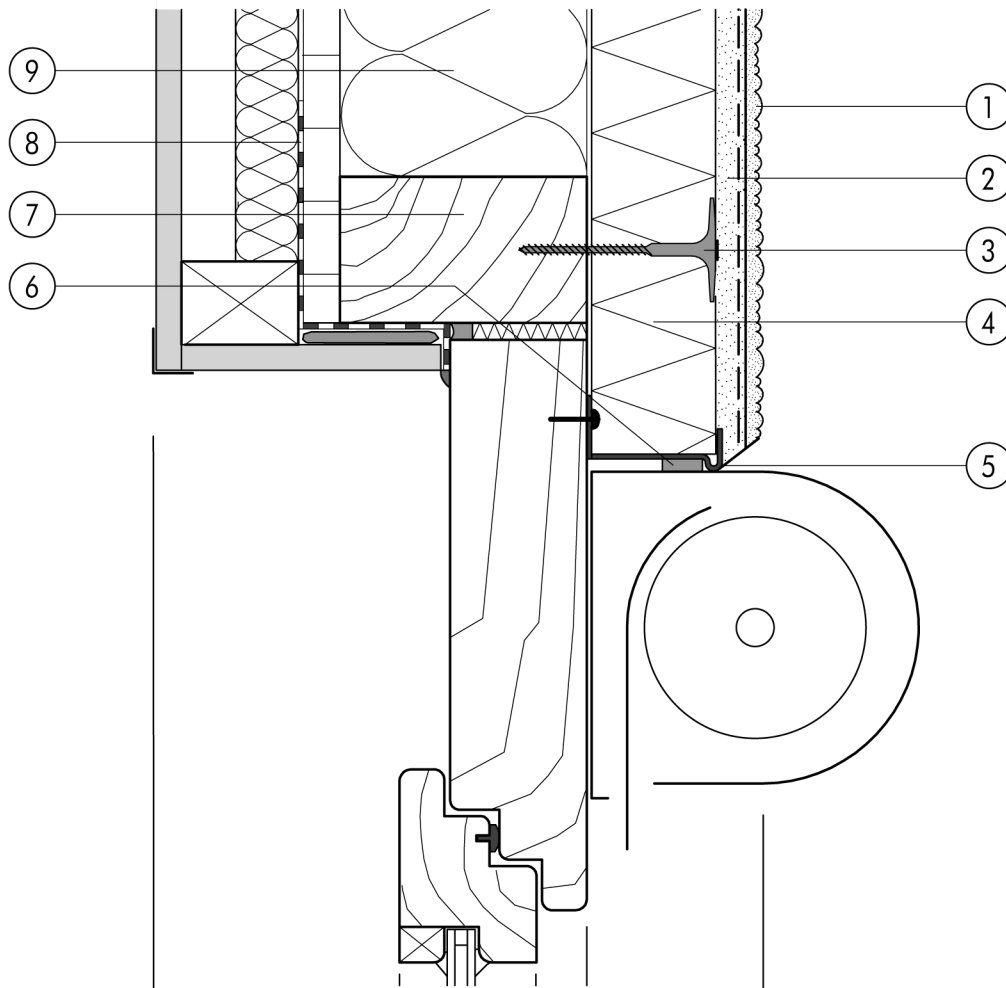


2.3 Window junctions

**2.3.07a Timber studwork directly
faced with THD N+F, front-
fixed roller shutter box, with
starter track, timber window**


2.3

- | | | | |
|---|---|---|------------------------------|
| ① | Finish render, where necessary with paint coating or impregnation (e.g. NOBLO, SP 260, conni S) | ⑥ | Joint sealing tape |
| ② | Reinforcing layer (SM700, scrim) | ⑦ | Timber studwork |
| ③ | System fastener (THD fastener set) | ⑧ | Vapour check where necessary |
| ④ | THD N+F insulation board | ⑨ | Cavity-wall insulation |
| ⑤ | Stop bead | | |