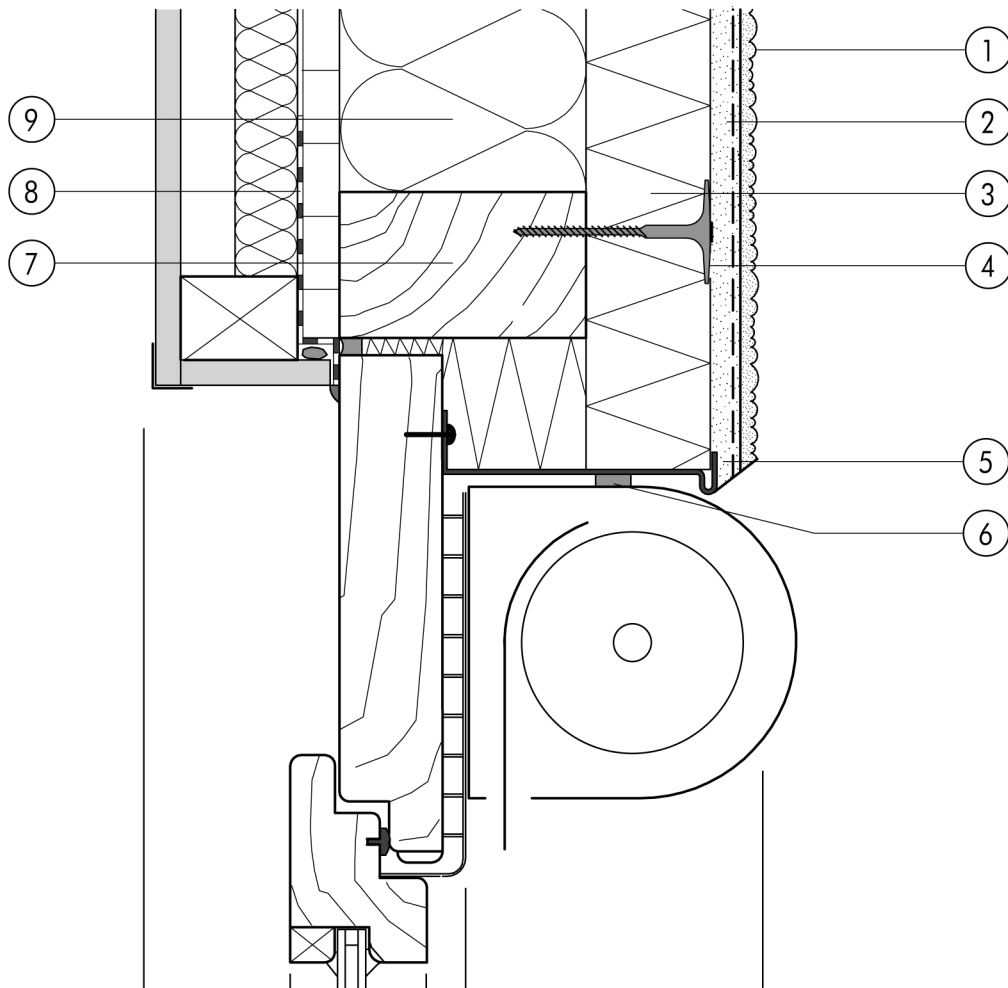


## 2.3 Window junctions

**2.3.06a Timber studwork directly faced with THD N+F, front-fixed roller shutter box, with starter track, timber / aluminium window**


2.3

- |   |   |   |                              |
|---|---|---|------------------------------|
| ① | Finish render, where necessary with paint coating or impregnation (e.g. NOBLO, SP 260, conni S) | ⑥ | Joint sealing tape           |
| ② | Reinforcing layer (SM700, scrim)  | ⑦ | Timber studwork              |
| ③ | THD N+F insulation board  | ⑧ | Vapour check where necessary |
| ④ | System fastener (THD fastener set)  | ⑨ | Cavity-wall insulation       |
| ⑤ | Stop bead   |   |                              |