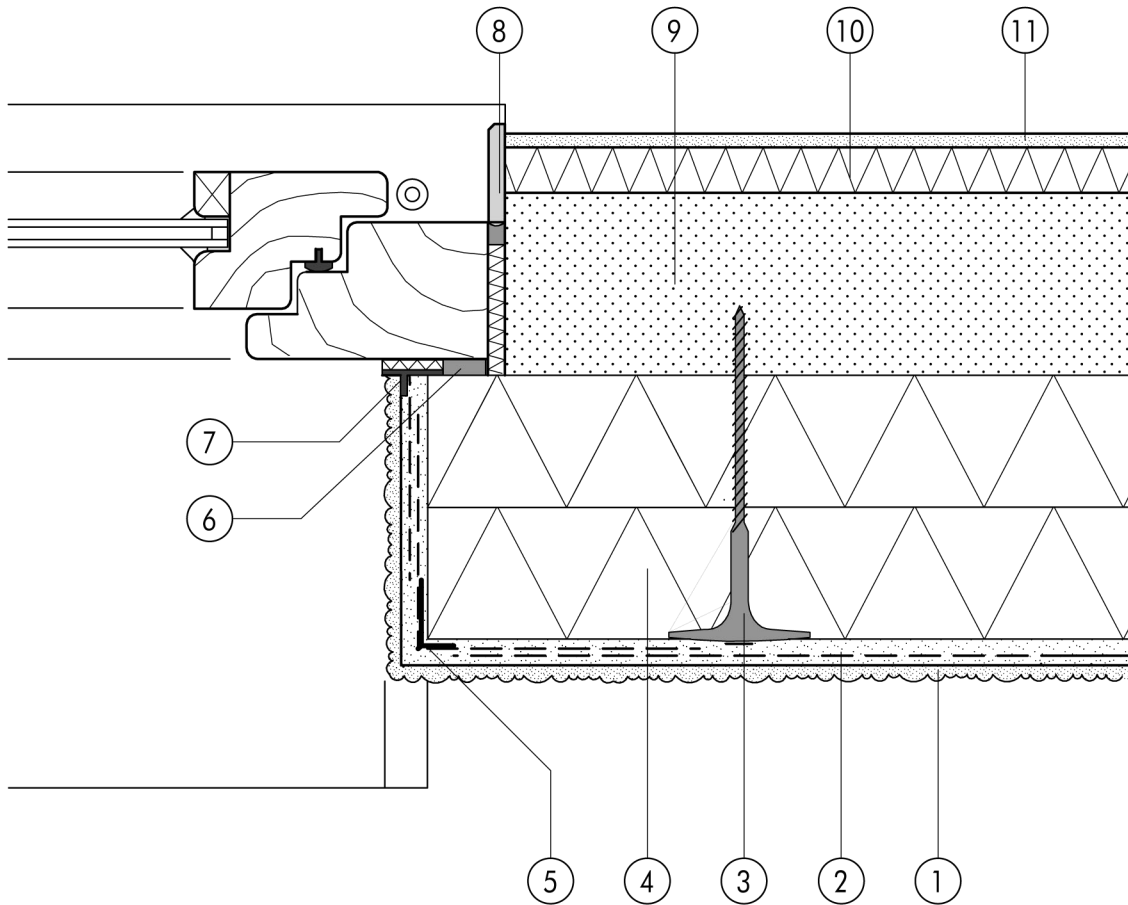


2.3 Window junctions

2.3.05 Solid timber construction
double-faced with
DIFFUTHERM, fastener-fixed

2.3



- | | | | |
|---|---|---|--|
| ① | Finish render, where necessary with paint coating or impregnation (e.g. NOBLO, SP 260, conni S) | ⑦ | Stop bead with scrim |
| ② | Reinforcing layer (SM700, scrim) | ⑧ | Jamb lining |
| ③ | System fastener (TERMOFIX H) | ⑨ | Solid timber wall |
| ④ | DIFFUTHERM insulation board, 60 mm (double-layer, staggered joints) | ⑩ | DIFFUTHERM jamb insulation board |
| ⑤ | Angle bead with scrim | ⑪ | Internal plaster with scrim (ROTKALK system) |
| ⑥ | Joint sealing tape | | |