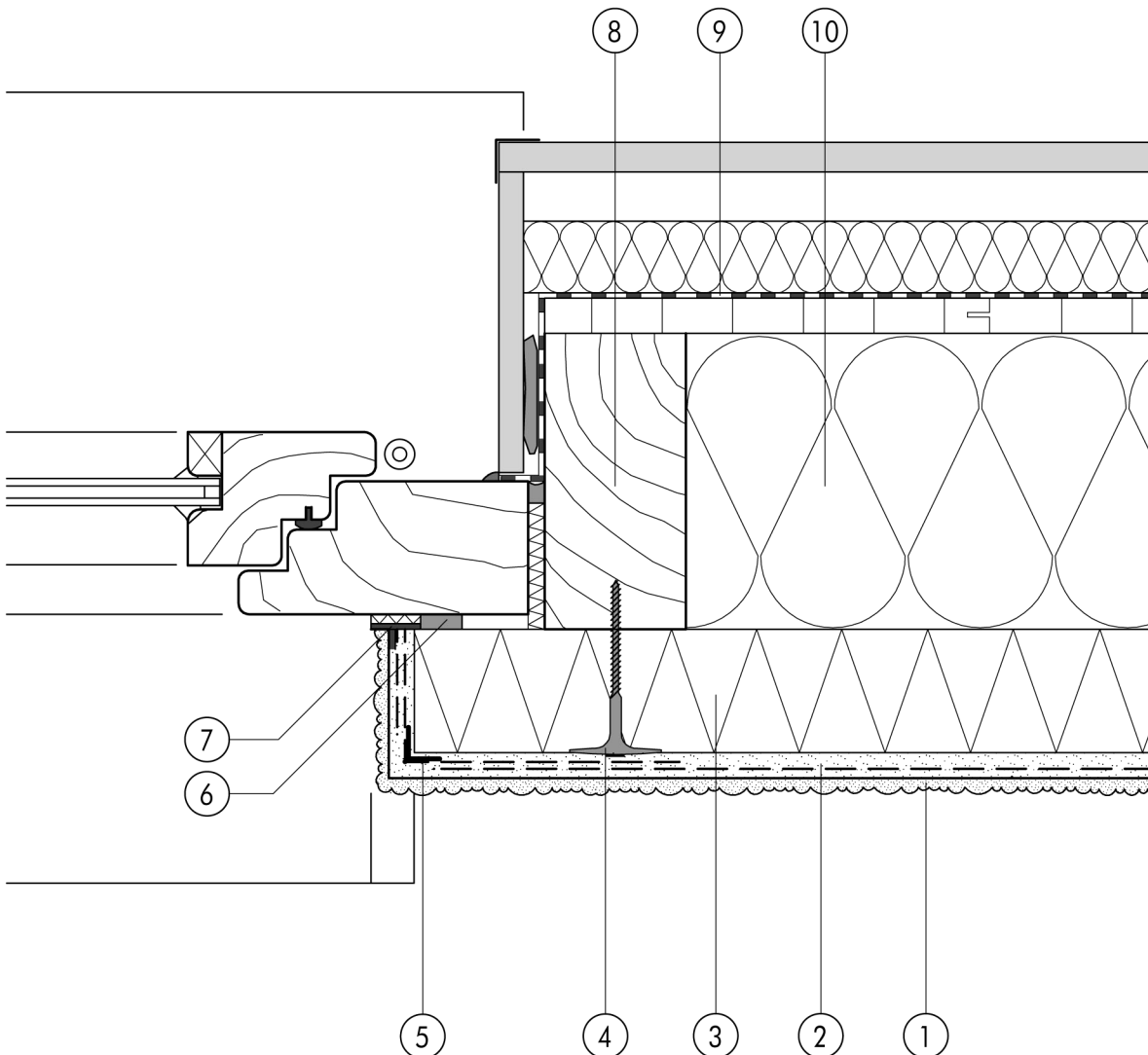


2.3 Window junctions

**2.3.04a Timber studwork directly
faced with THD N+F,
windows externally flush**


2.3

- | | | | |
|---|---|---|------------------------------|
| ① | Finish render, where necessary with paint coating or impregnation (e.g. NOBLO, SP 260, conni S) | ⑥ | Joint sealing tape |
| ② | Reinforcing layer (SM700, scrim) | ⑦ | Stop bead with scrim |
| ③ | THD N+F insulation board | ⑧ | Timber studwork |
| ④ | System fastener (THD fastener set) | ⑨ | Vapour check where necessary |
| ⑤ | Angle bead with scrim | ⑩ | Cavity-wall insulation |