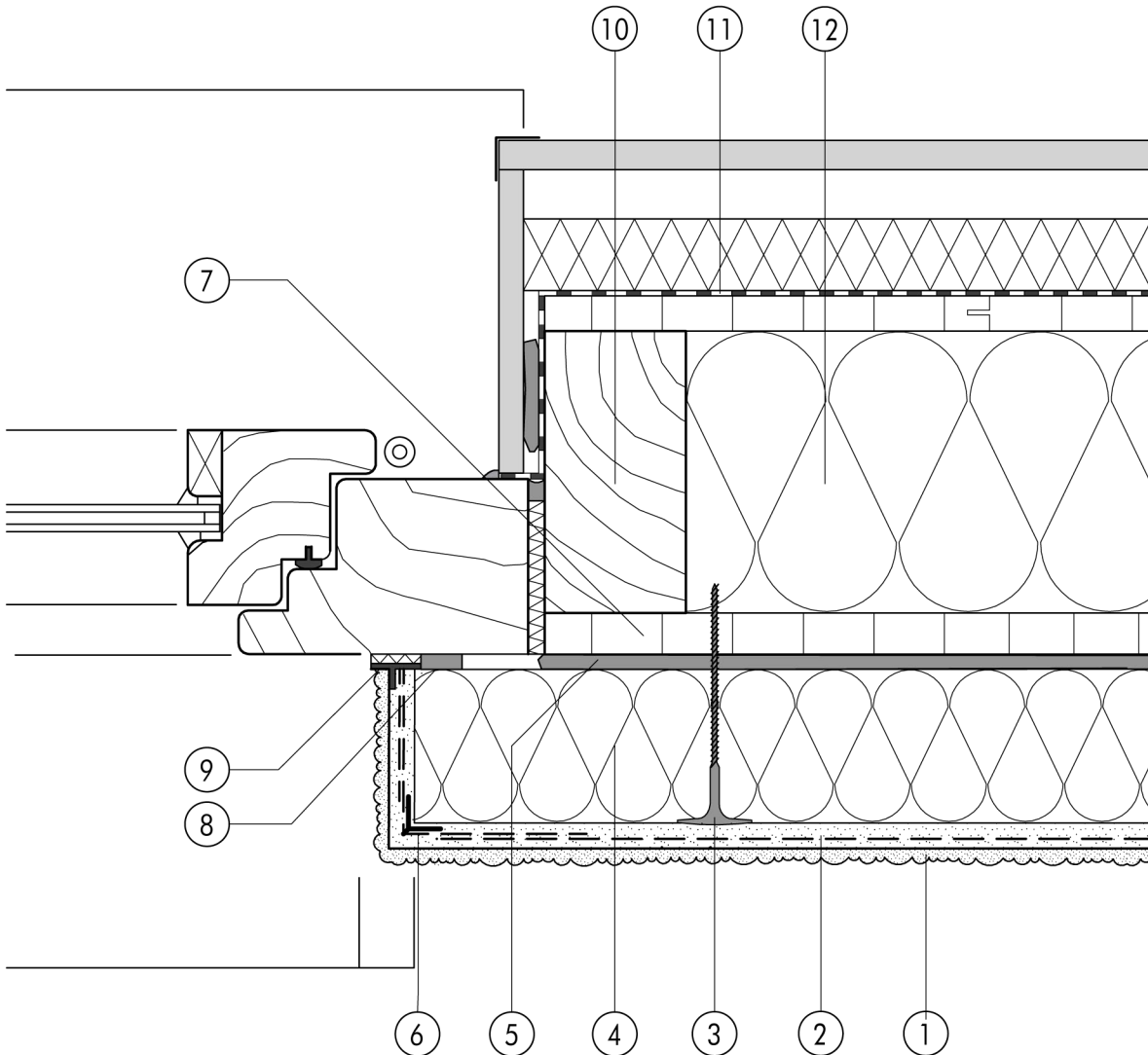


## 2.3 Window junctions

**2.3.02 ETICS applied to panel**
**product, windows externally  
flush**


2.3

- |   |   |   |                              |
|---|---|---|------------------------------|
| ① | Finish render, where necessary with paint coating or impregnation (e.g. NOBLO, SP 260, conni S) | ⑦ | Panel product, min. 12 mm    |
| ② | Reinforcing layer (SM700, Lustro, scrim)  | ⑧ | Joint sealing tape           |
| ③ | System fastener (TERMOFIX H)  | ⑨ | Stop bead with scrim         |
| ④ | Insulation (STYROPOR®, MINERAL FIBRE)   | ⑩ | Timber studwork              |
| ⑤ | Bonding mortar (PASTOL, SM700, Lustro)  | ⑪ | Vapour check where necessary |
| ⑥ | Angle bead with scrim   | ⑫ | Cavity-wall insulation       |