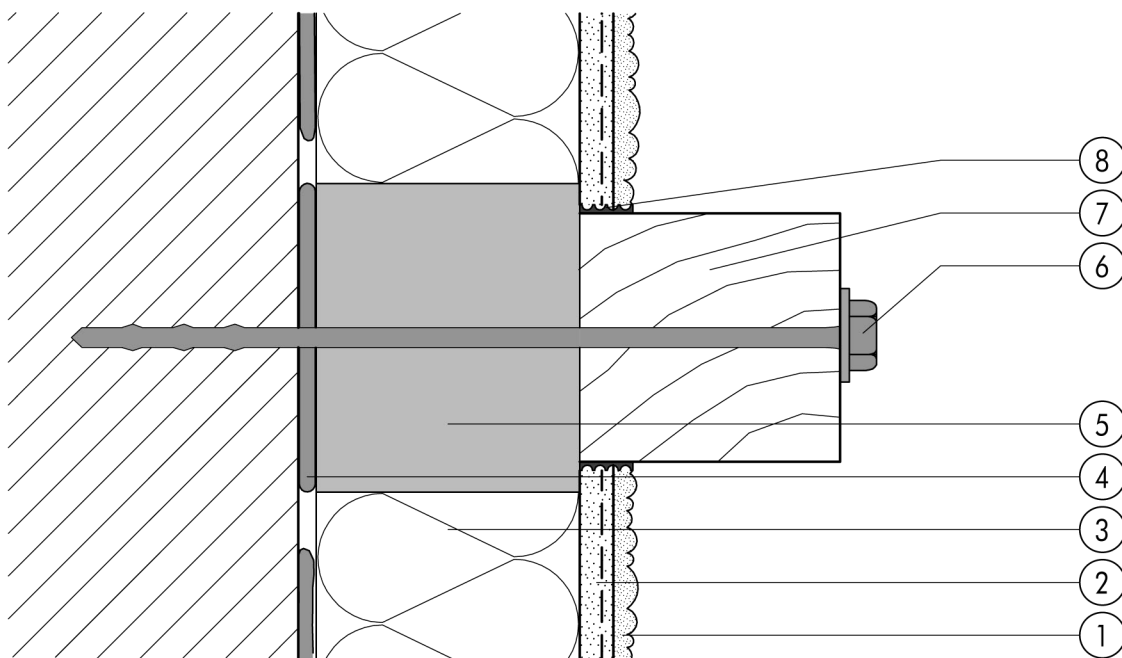


1.7 Fixings

1.7.05 Cylindrical plug as pressure pad for anchorage of heavy loads


1.7

- ① Finish render, where necessary with paint coating or impregnation (e.g. NOBLO, SP 260, conni S)
- ② Reinforcing layer (SM700, Lustro, scrim)
- ③ Insulation (STYROPOR®, MINERAL FIBRE)
- ④ Bonding mortar (SM700, Lustro)

- ⑤ Cylindrical plug
- ⑥ Fixing device
- ⑦ E.g. purlin support for canopy
- ⑧ Grooved compressible tape