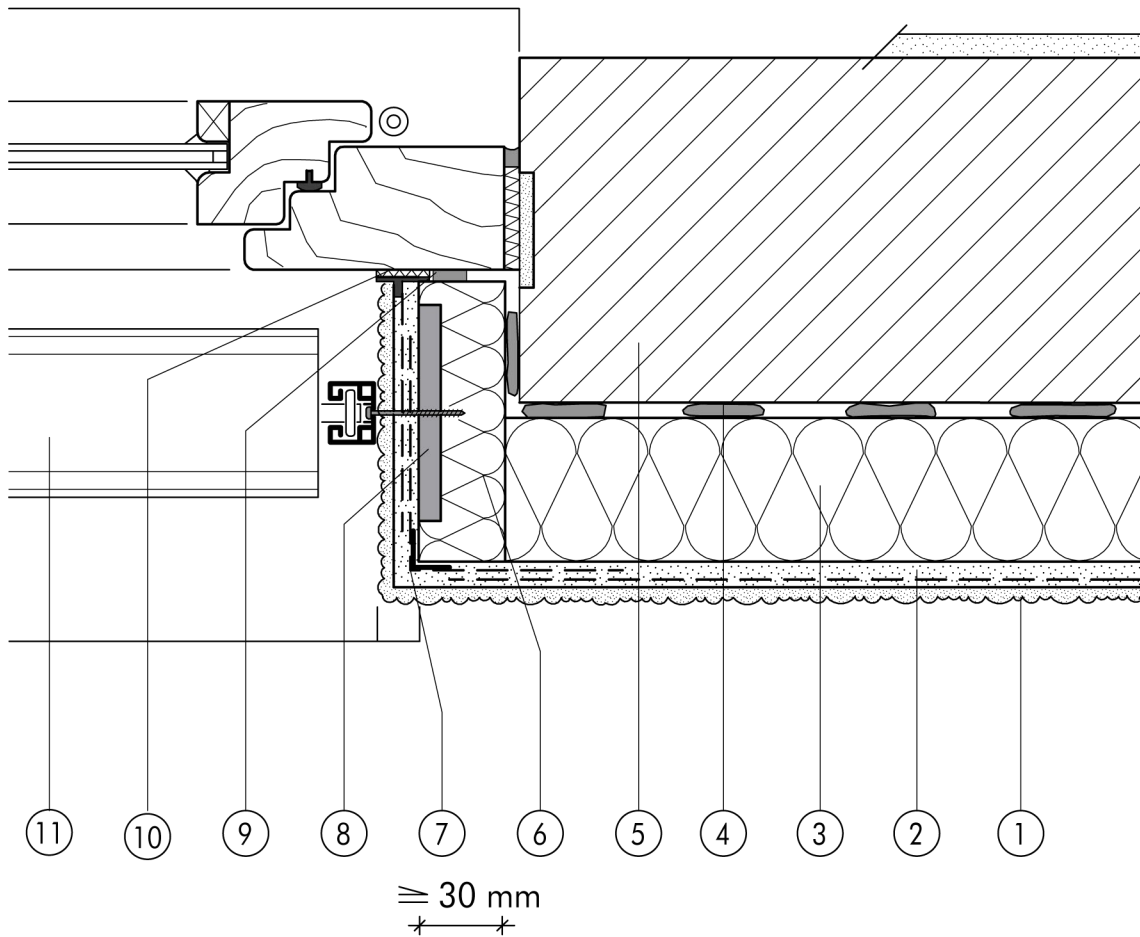


1.7 Fixings

1.7.01 Fixing rose for anchorage of light loads


1.7

- | | | | |
|---|---|---|-----------------------------------|
| ① | Finish render, where necessary with paint coating or impregnation (e.g. NOBLO, SP 260, conni S) | ⑦ | Angle bead with scrim |
| ② | Reinforcing layer (SM700, Lustro, scrim) | ⑧ | Fixing rose |
| ③ | Insulation (STYROPOR®, MINERAL FIBRE) | ⑨ | Joint sealing tape |
| ④ | Bonding mortar (SM700, Lustro) | ⑩ | Stop bead with scrim |
| ⑤ | Masonry | ⑪ | Sunshading device with guide rail |
| ⑥ | Jamb insulation board | | |