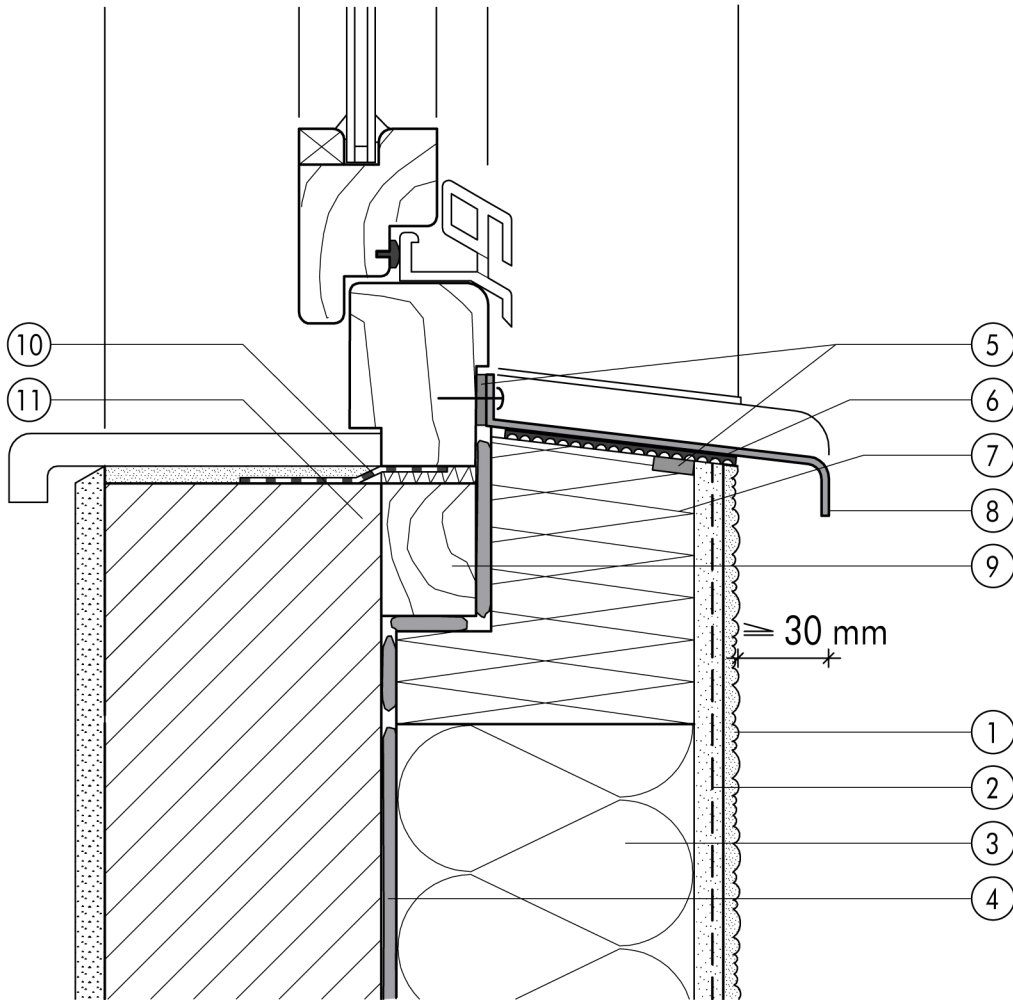


## 1.3 Window junctions

**1.3.10 Window apron unit, window proud of structural wall**


1.3

- |   |   |   |                                      |
|---|---|---|--------------------------------------|
| ① | Finish render, where necessary with paint coating or impregnation (e.g. NOBLO, SP 260, conni S) | ⑦ | MARMORIT LICHTKEIL window apron unit |
| ② | Reinforcing layer (SM700, Lustro, scrim)  | ⑧ | Window sill                          |
| ③ | Insulation (STYROPOR®, MINERAL FIBRE)   | ⑨ | Primary frame                        |
| ④ | Bonding mortar (SM700, Lustro)  | ⑩ | Waterproof sheet membrane            |
| ⑤ | Joint sealing tape  | ⑪ | Masonry                              |
| ⑥ | Grooved compressible tape (with anti-drumming function)   |   |                                      |