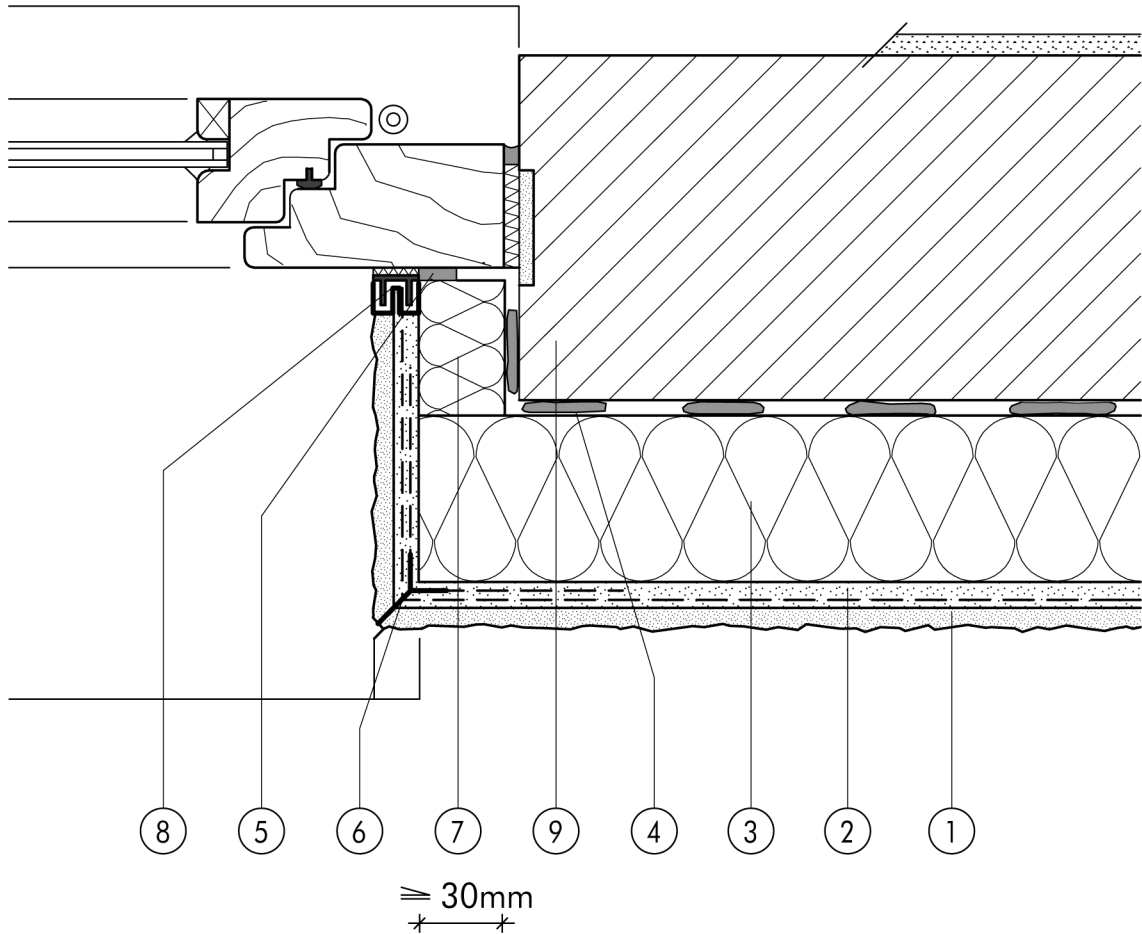


1.3 Window junctions
1.3.02 Incorporating jamb insulation

1.3



- ① Scratch render finish (mak 3)
- ② Reinforcing layer (Lustro for Scratch Render, scrim)
- ③ Insulation (STYROPOR®, MINERAL FIBRE)
- ④ Bonding mortar (SM700, Lustro, Lustro for Scratch Render)
- ⑤ Joint sealing tape
- ⑥ PVC angle bead for scratch render
- ⑦ Jamb insulation board
- ⑧ Stop bead with scrim (TELESKOP)
- ⑨ Masonry